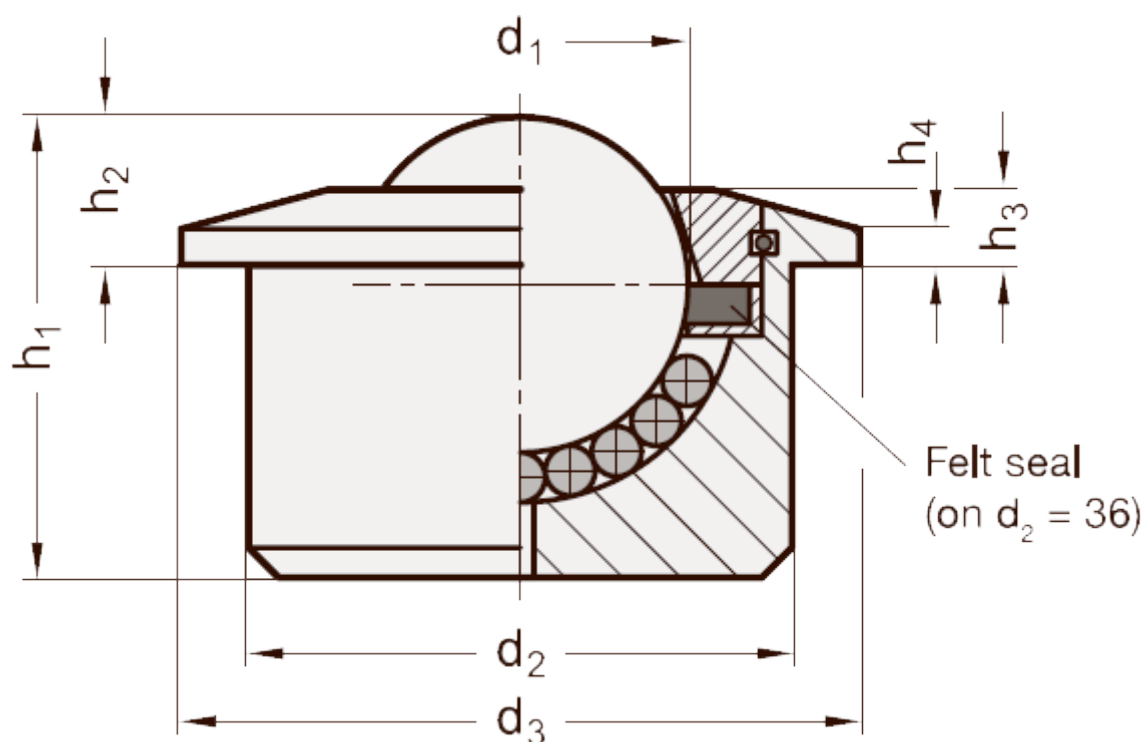


Article number: 20607022

Description: E+G Ball transfer unit  
GN 509.1-22-SBL

## Measures



$d_1$	= 22.2	Size	= 22
$d_2 \pm 0.08$	= 36	Weight in (g)	= 186
$d_3$	= 45		
$h_1 \pm 0.3$	= 30.5		
$h_2 \pm 0.3$	= 9.8		
$h_3 \pm 0.3$	= 5		
$h_4$	= 2.4		
Max load (N)	= 1300		